

PS-B 3

PAVING SPACER



ArchiGreen Roof Ltd
 3 Patzay Pal Utca • Gyor • H-9024
 Website: www.archigreenroof.com
 E-mail: info@archigreenroof.com

PS-B 3 is a black cross-shaped paving spacer with a leg thickness of 3 mm and is made of recycled polystyrene (PS). One leg, hereinafter the break-off leg, can be easily snapped off owing to the two narrow cuttings incised into both of its sides along its binding junction - the weakened junction - with the rest of the spacer. A rectangular open-ended slot, hereinafter the fusion slot, is present in the break-off leg. Viewed from top, the finish of the paving spacer is beautifully arched.

Once the break-off leg is broken off, a T-shaped paving spacer is available at your disposal. To ensure maximum efficiency, the snapped-off legs can be slotted into one another at the fusion slot. This results in new cross-shaped spacers.

Made from recycled plastic and combined with the smart re-use of the snapped-off bits, this eco-friendly product delivers sustainability at its best!

Use

Usage of the PS-B 3 include:

- Providing the quickest method of laying angled edge slabs
- Abolishing the need for pointing
- Delivering accurate 3 mm joints - always!
- Creating T-shaped spacers by snapping off the break-off leg
- Pairing the snapped-off legs result in cross-shaped spacers
- Reinserting the paving slabs is easy owing to the arched top
- Enhancing drainage properties
- Distribution of stresses placed by vehicular braking / acceleration / steering throughout the entire paved area rather than relying on the distribution of each slab individually.

Application area

PS-B 3 is specifically designed to make laying paving slabs and building a patio easy - providing 3 mm joints consistently. Its application is particularly advised on roof terraces where paving slabs must be loose laid for proper drainage purposes.

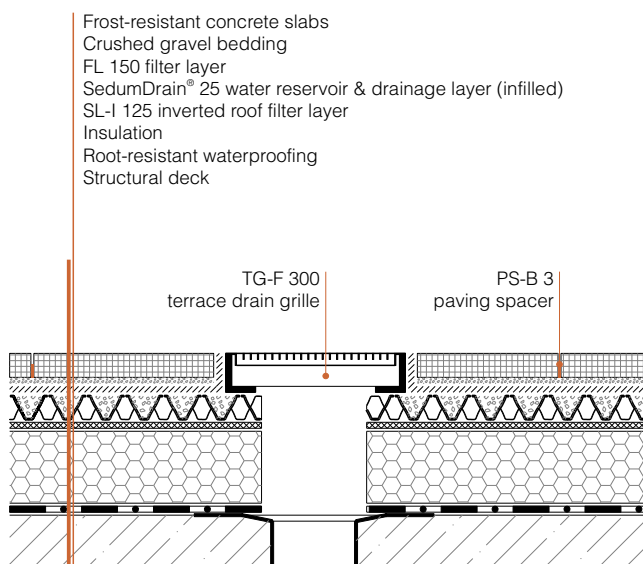
Size (L x W x H)	50 x 50 x 18 mm
Leg thickness	3 mm
Weight	0.5 kg / 100 spacers
Material	Recycled polystyrene (PS)
Colour	Black

Required quantity at:

slab size 500 x 500 mm	4-10 spacers/m ²
slab size 400 x 400 mm	7-15 spacers/m ²
slab size 300 x 300 mm	12-26 spacers/m ²

Environmental aspect Fully recyclable

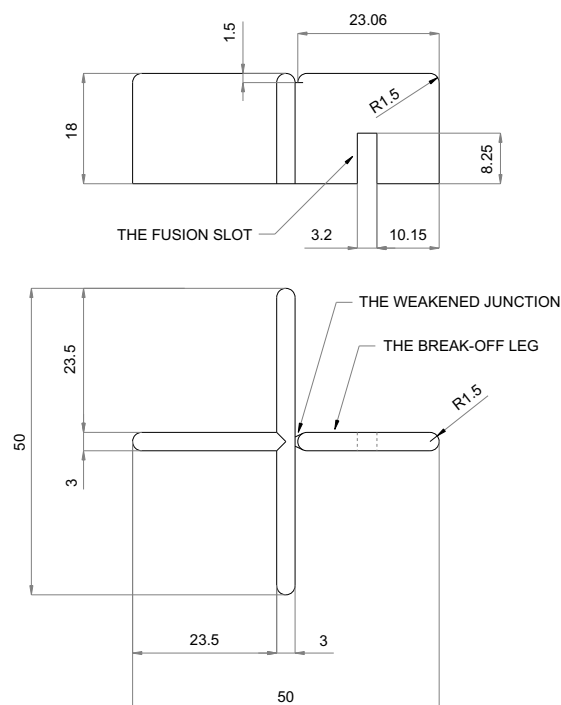
Installation example



Specification suggestion

ArchiGreen® PS-B 3 paving spacer is made of recycled polystyrene (PS) and is black in colour. Specifically designed to be installed between paving slabs on roof terraces to enhance drainage properties in accordance with German FLL Guidelines. One leg, the break-off leg, has two narrow cuttings incised into it. This break-off leg is snapped off at the weakened junction to convert the cross-shaped spacer into a T-shaped one, thereby rendering it applicable for offset (staggered) laying patterns and along edges and at corners. Pairs of broken-off legs may be slotted into one another resulting in additional cross-shaped spacers. The arched top of the spacer facilitates the reinsertion of the paving slabs. Size: 50x50x18 mm (L x W x H). Leg thickness: 3 mm. Weight: 0.5 kg / 100 spacers. Delivery and installation is in accordance with manufacturer's instructions.

Technical illustration



Tools required

No special tools are required for the installation of this product.

Packaging unit

PS-B 3 can be despatched in plastic bags and in corrugated boxes depending on the size of the order:
 100 spacers / polybag (300x300 mm, 0.5 kg)
 30 polybags / box (600x410x370 mm, 16.2 kg)